

BYD's Dream All Human Hope

Changing human dependence on non-renewable energy as the starting point, with three green dreams of electric vehicle, energy storage station and solar farm, BYD looks forward to helping more countries and people to get rid of fossil energy over consumption crisis and environmental pollution, and strive to leave offspring a beautiful and clean world to live in.



In the daytime, solar panels capture solar energy like plants. At night, energy storage station transports the stored energy, like solar energy, wind energy, tidal energy, to thousands of families smoothly.

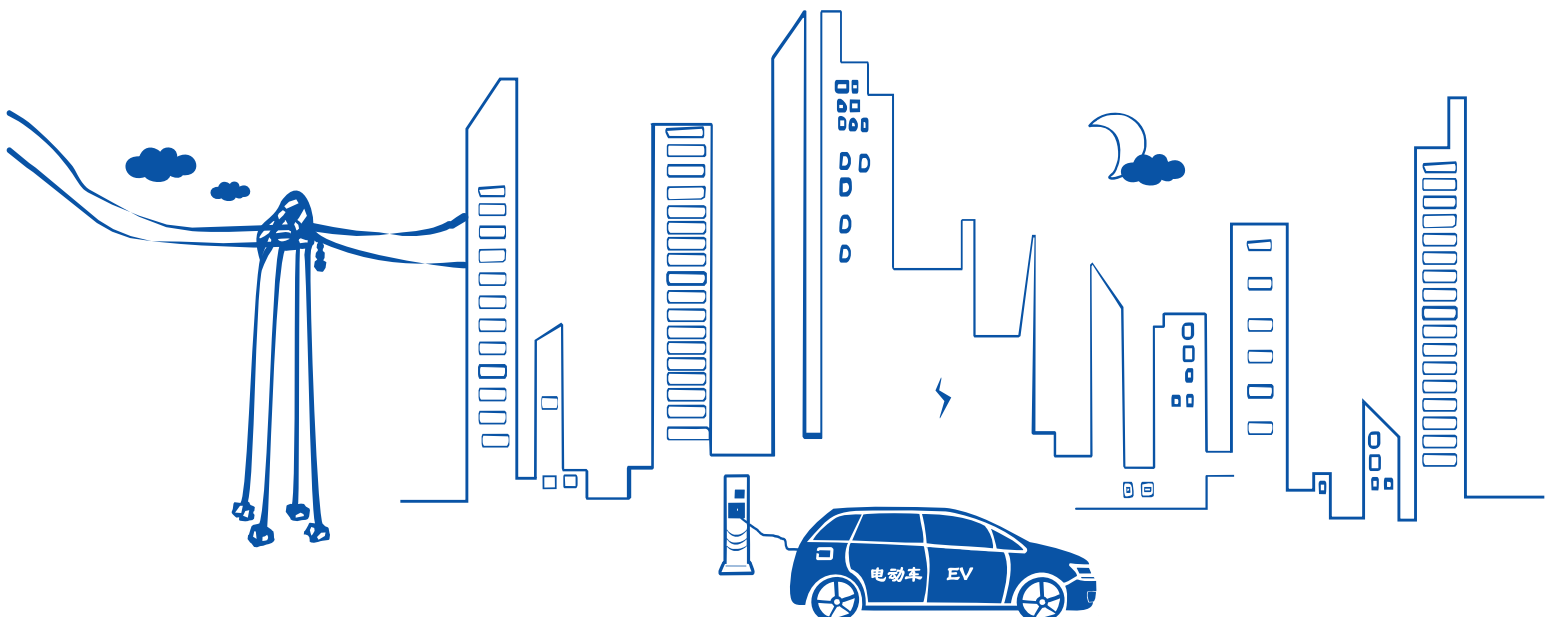
The electric vehicle, shuttling on the streets and lanes, is of zero emission, zero pollution.

Is this a dream?

This is the green dream of BYD and even all human beings.

Is this a dream?

No. We are already seeing it approaching us.





18.8%

Average cell efficiency up to 18.8%
Excellent optical performance



Power tolerance 0-5W
Reliability for output performance



10 years for product
25 years linear Warranty



Residential roof top systems
On/Off-grid commercial systems
On/Off-grid utility systems



Design loads: 3600 Pa for positive
(downward) and 1600 Pa for
negative (upward)

Safety factors γ_m : 1.5

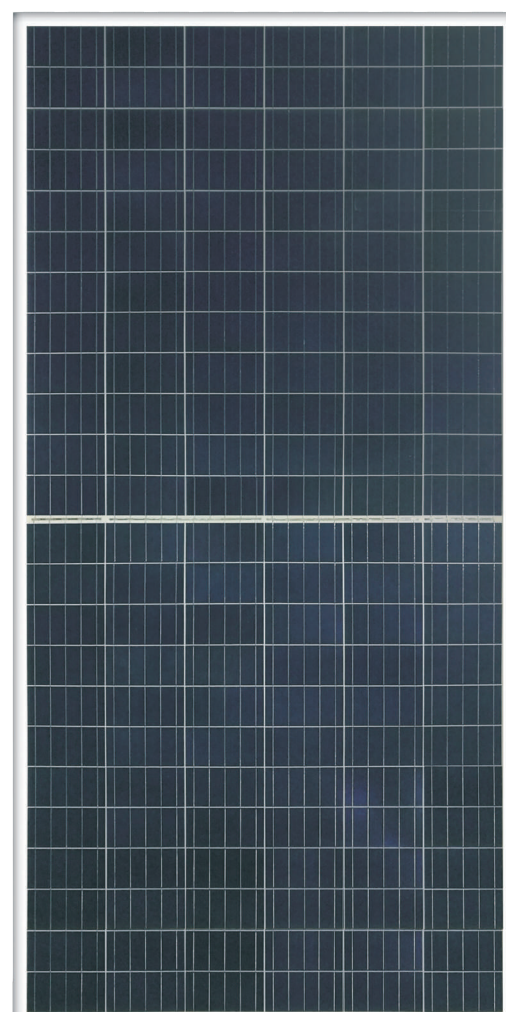


IEC61215-1(ed.1)
IEC61215-1-1(ed.1)
IEC61215-2(ed.1)
IEC61730-1(ed.2)
IEC61730-2(ed.2)

BYD

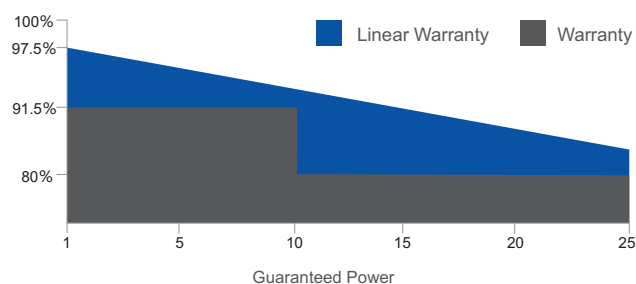
PV Half Cell Module

BYD PHK-36-SERIES-5BB 325-350W



PHK-36-SERIES-5BB

BYD PV Module 25 Years Linear Performance Warranty



BYD PHK-36-SERIES-5BB 325-350W

Mechanical Properties

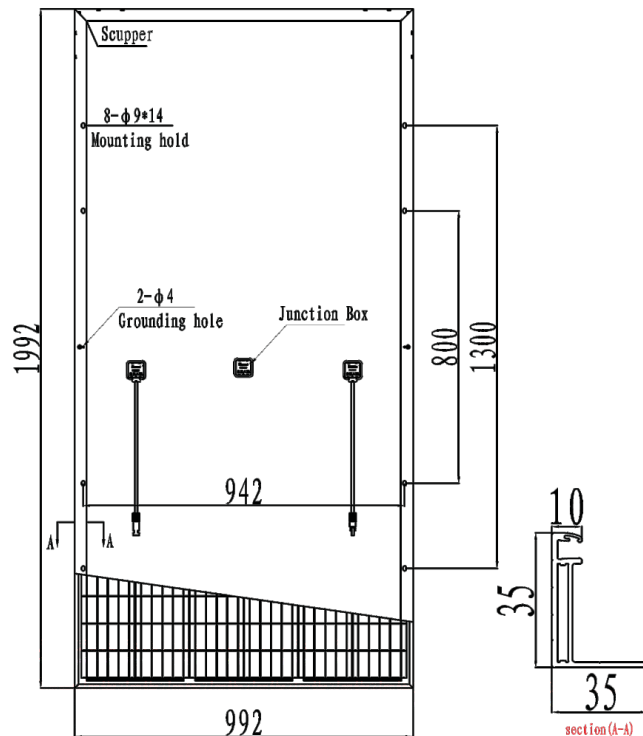
Cell Type	156.75×78.40mm
Number of Cells	144 (12 ×12) pcs
Dimension	1992 mm×992 mm×35 mm
Weight	18.86 kg
Front/Glass	2.5 mm tempered glass with AR Coating
Frame	Anodized aluminum alloy
Junction Box	IP67(3 Diodes)
Cable Type	4.0mm ² *450mm
Connector	MC4 Compatible

Temperature Coefficient

Short-Circuit Current Temperature Coefficient	0.057%/°C
Open-Circuit Voltage Temperature Coefficient	-0.285%/°C
Peak Power Temperature Coefficient	-0.35%/°C

Packing Information

Packing Type	40' HQ
Piece/Pallet	30
Pallet/Container	22
Piece/Container	660



Electrical Properties

Module Type	BYD325PHK-36	BYD330PHK-36	BYD335PHK-36	BYD340PHK-36	BYD345PHK-36	BYD350PHK-36
Peak Power(Pmax)	325Wp	330Wp	335Wp	340Wp	345Wp	350Wp
Open Circuit Voltage (Voc) (V)	44.94 V	45.19 V	45.44 V	45.69 V	45.94 V	46.19 V
Short Circuit Current (Isc) (A)	9.14 A	9.20 A	9.25 A	9.31 A	9.36 A	9.42 A
MPP Voltage (Vmp)(V)	37.57 V	37.83 V	38.10 V	38.36 V	38.62 V	38.87 V
MPP Current (Imp) (A)	8.65 A	8.72 A	8.79 A	8.86 A	8.93 A	9.00 A
Module Efficiency (%)	16.45%	16.70%	16.95%	17.21%	17.46%	17.71%
Operating Temperature (°C)	-40°C~85°C					
Maximum System Voltage (V)	1500VDC					
Maximum Series Fuse Rating (A)	15A					
Fire safety	Class C					
Power tolerance	0-5W					

STC: IRRADIANCE 1000W/m², Module Temperature 25°C, AM=1.5

NOCT

	240Wp	244Wp	248Wp	251Wp	255Wp	259Wp
Peak Power(Pmax)	240Wp	244Wp	248Wp	251Wp	255Wp	259Wp
Open Circuit Voltage(Voc)	42.1V	42.3V	42.5V	42.7V	42.9V	43.1V
Short Circuit Current (Isc)	7.39A	7.43A	7.48A	7.52A	7.57A	7.61A
Maximum Operating Voltage (Vmp)	35V	35.3V	35.6V	35.8V	36.1V	36.3V
Maximum Operating Current (Imp)	6.86A	6.91A	6.96A	7.01A	7.07A	7.13A

BYD COMPANY LIMITED.

ADD: Yan An Road, Kuichong, Longgang, 518119 Shenzhen, PEOPLE'S REPUBLIC OF CHINA