

PTC water heating system **200L**

Client information sheet



Please email completed copy to info@geyserwise.co.za or fax to **021 592 4901**

Dear Installer

Thank you for purchasing the GeysersWise PTC Photovoltaic Hot Water System for a 200L geyser. Please note that the installation of the system has to be signed off by a qualified electrician (please attach COC).

For optimal performance of the system, it is very important that the system is installed properly and according to our instructions. It is also important to us that all installers are informed up front of all installation procedures as well as warranty conditions.

In light of the above we are implementing a warranty registration procedure. This procedure may seem like a lot of admin, but submission of the warranty registration document will assist us in:

- Ensuring that all installers have read and understand the warranty conditions
- Ensuring that all installers have a copy of all installation documentation
- Knowing where systems are installed in order to provide the most efficient after sales support for systems sold.

All installations must be registered before the warranty on the product becomes effective. Please note that no warranty or after sales service will be supplied unless the registration form is scanned and emailed or faxed to our offices upon installation. Please be sure to complete the registration form as soon as possible after installation takes place. The installation can then be added to our central database to ensure swift response to after sales queries.

A COMPLETE SYSTEM

A complete 200L PTC Photovoltaic Water Heating System consists of the following components:

Component	Purchased from GeysersWise CC		
4 x 250W PV panels	Yes		No
1 x PTC AC/DC element	Yes		No
1 x MPPT	Yes		No
1 x Dual controller	Yes		No
Element to MPPT connection cable	Yes		No
MPPT to PV panels connection cables	Yes		No
4 x AH Battery	Yes		No

COMPONENTS WARRANTY FOR END USER

1. We, GeysersWise CC, warrant to you that, for a period of 36 months from the date of purchase, the *GeysersWise, GeysersWise PV Panels, GeysersWise AC/DC Element, GeysersWise MPPT, GeysersWise Dual Controller, GeysersWise Extension Cables and Battery* (the "goods") will be free of any defects. Please note that components that are not purchased from GeysersWise CC **do not** form part of the scope of this warranty. Separate warranties in respect of these components would have to be obtained by the **installer** from the other suppliers in question.
2. If any defect in the goods is discovered by you within 36 months from date of installation, you can return the goods to our service centre or to one of our duly authorised service agents. If you return the good/s during the first six months, you will be entitled to elect whether you want the good/s repaired or replaced. If you return the good/s after the initial six months, we will repair the good/s for you.

3. A good returned under this warranty must be presented to us in its original packaging together with all accessories.
4. We will refuse the return of any good which has been –
 - 4.1 partially or wholly disassembled;
 - 4.2 physically altered;
 - 4.3 used in a manner contrary to any instructions provided by us;
 - 4.4 permanently installed or attached and/or combined with other goods or property in any way; or
 - 4.5 installed incorrectly
5. We will not –
 - 5.1 repair the good where the defect or damage to the good is found to be a direct result of your (or any third party's) negligence, recklessness or malicious behaviour; and/or
 - 5.2 be liable for damage caused to the good as a result of wear and tear unless such damage manifests itself within 36 months from date of installation
6. Where we issue a refund under this warranty, we will deduct the charges we are allowed to deduct under the Consumer Protection Act, No 68 of 2008.

Please note that any damage arising from external factors falling outside of our control, including lighting damage, flooding, earthquakes and power surges are not covered by this warranty.

Please also note that the existing infrastructure (geyser, electrical circuits, plumbing) does not form part of this warranty, which only extends to the identified components. Any defect or damage arising from the installation of the goods remains the responsibility of the installer and falls outside the ambit of this warranty.

INSTALLER DECLARATION

I confirm that I as installer have read and understand the various installation manuals, specification sheets, warranty documentation as provided with each component and as published on the website www.geyserwise.co.za

I acknowledge therefore that GeysersWise CC will not be held responsible or liable for the failure of any system installation due to incorrect installation techniques or product utilization.

I understand that all products sent back to GeysersWise CC should be accompanied with a completed claim form and photographs of the installation for evaluation purposes.

I also declare that I own the appropriate tools for the installation of the system, including but not limited to

- ACDC clamp meter
- Appropriate element socket
- Appropriate electricians screw driver

and that failure to use the appropriate tools will result in GeysersWise's warranty being null and void.

I further confirm that I will provide each end user with a separate warranty pertaining to my installation services in accordance with all applicable legislation.

FULLNAME (INSTALLER)

PLACE

DATE

SIGNATURE (INSTALLER)





CLIENT INFORMATION

TITLE NAME SURNAME

PHYSICAL ADDRESS

CITY PROVINCE POSTAL CODE

PHONE (H) PHONE (ALTERNATE) EMAIL

INSTALLER INFORMATION

TITLE NAME SURNAME

COMPANY NAME

PHYSICAL ADDRESS

CITY PROVINCE POSTAL CODE

PHONE (H) PHONE (ALTERNATE) EMAIL

GEYSER INFORMATION

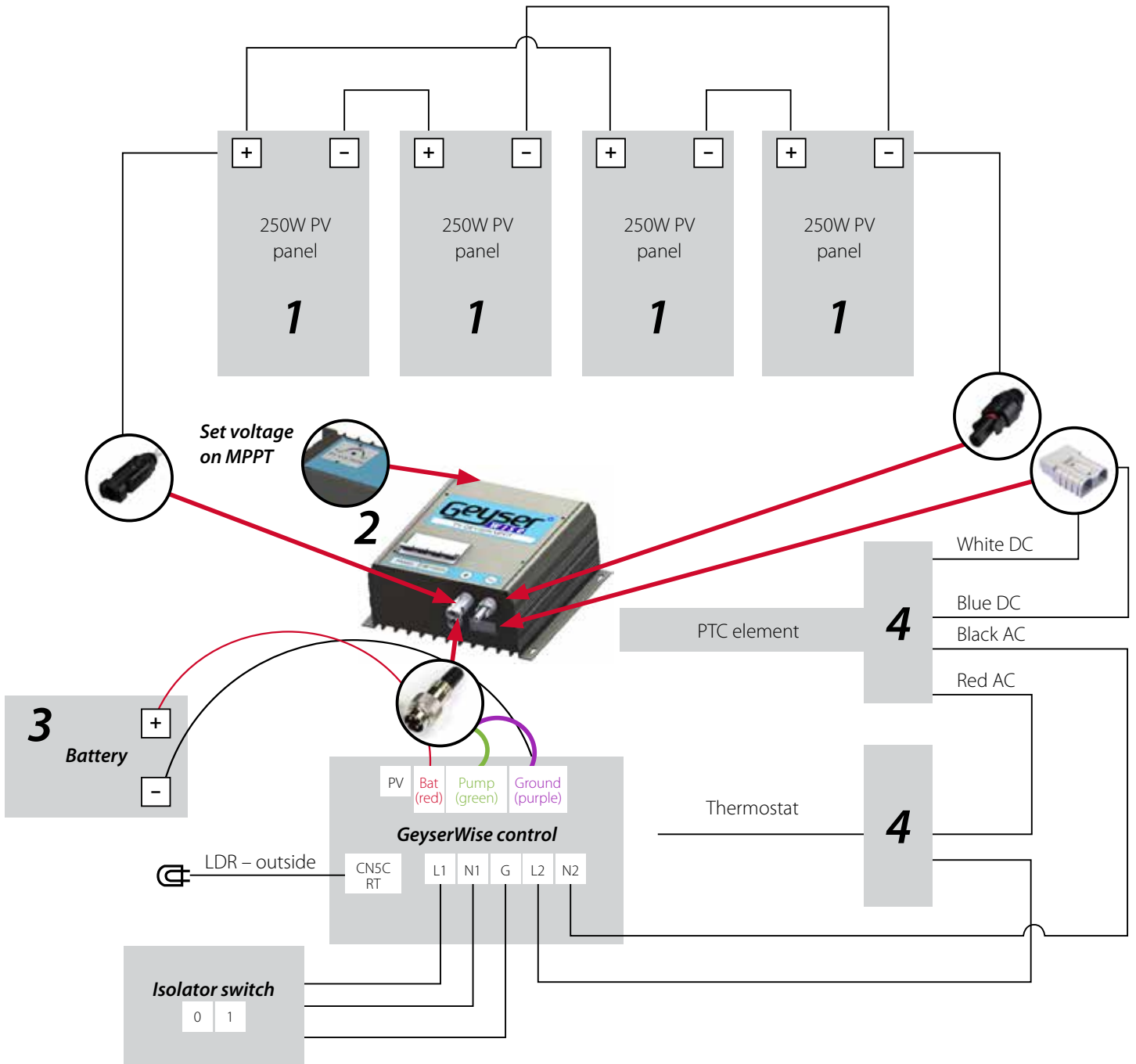
GEYSER MAKE GEYSER SIZE GEYSER AGE AT INSTALLATION

SIZE OF NEW ELEMENT DATE NEW SYSTEM INSTALLED

NO. OF PEOPLE IN HOUSEHOLD COC NUMBER (ATTACH COPY)



PV SYSTEM CONNECTION DIAGRAMME 200L GEYSER





INSTALLATION CHECKLIST – PTC WATERHEATING SYSTEM

	DETAILS	INSTALLER SIGN-OFF
Note 1	Brand of panels	
	Size and number of panels	
	Panels installed in series	
	Panels installed facing true north, if not true north please supply a note as to the direction of panels	
	The panels are installed at an angle of approximately 30 degrees Please specify the angle measured with protactor	
	The PV panels are mounted securely on the roof according to PV manufacturer instruction	
	The panels are NOT installed in shaded area	
Note 2	PV panel positive connected securely to positive on MPPT with MC4 connector (plug-in)	
	PV panel negative connected securely to negative on MPPT with MC4 connector (plug-in)	
	Element connected securely to MPPT with supplied extension lead (plug-in) – see diagramme	
	MPPT connected to GeyserWise Dual as per GeyserWise Dual instruction – see diagramme	
	MPPT setting 100L: Set at 65V (2 x 300W panels in series) 150L: Set at 100V (3 x 300W panels in series) 200L: Set at 110V (4 x 250W panels in series)	
Note 3	4 Amp hour battery connected to GeyserWise as per diagramme	
Note 4	GeyserWise AC/DC element installed correctly in geyser and connected through GeyserWise electronic thermostat as specified in diagramme	
	GeyserWise cover closed	
	Geyser cover closed	
	No loose wires	
	All components installed inside or in a waterproof box	
	Circuit breakers switch to on position on MPPT	
	GeyserWise Dual settings, set per customer needs DC temperature set to at least 55 degrees Light levels set at 150	
	DC amp from panel on PV positive (specify reading)	DC voltage to element (specify reading)
DC voltage from panel on PV positive (specify reading)	DC voltage current to element (specify reading)	



GeyserWise cc

CAPE TOWN

postal address Post Net, Private Bag X103, Suite 239, N1 City, 7463 • physical address 151 Cook Street, Goodwood, 7460, Western Cape • tel 086 104 3973 • fax 086 664 3973

PRETORIA

physical address Unit 5 Edison Park, 183 Edison Crescent, Hennops Park, Centurion, 0172 • tel 012 653 1020

email info@geyserwise.co.za • web www.geyserwise.co.za